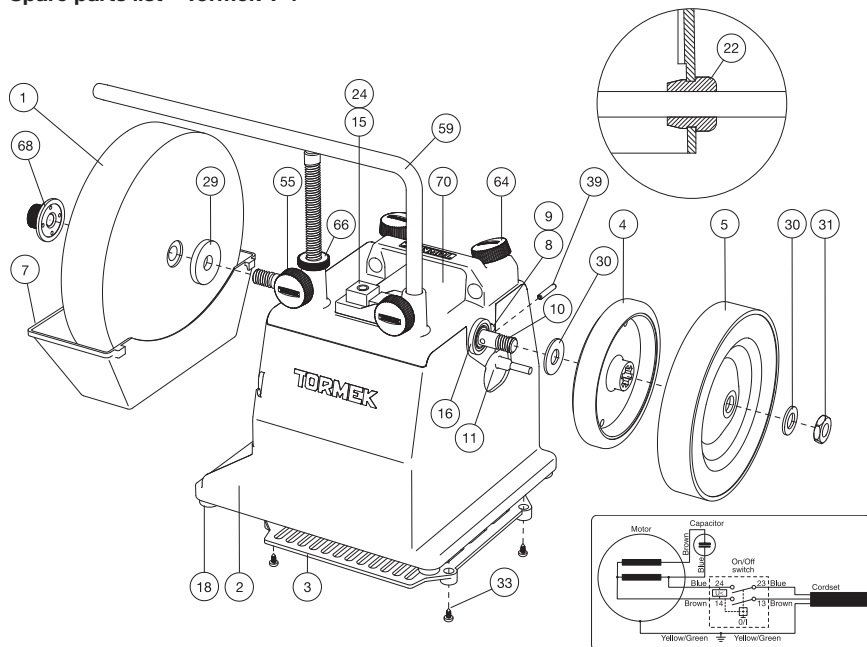


## Spare parts list – Tormek T-4



No.	Denomination	Qty	No.	Denomination	Qty
1	Grindstone	1	30	Washer for the drive wheel	2
2	Housing	1	31	Nut. M12 h=6	2
3	Grating	1	33	Screw for grating	4
4	Drive wheel with friction ring	1	39	Locking pin	1
5	Honing wheel	1	55	Locking screw	2
7	Water trough	1	59	Universal Support excl. adjusting nut	1
8	Mounting shaft	1	64	Locking screw	2
9	Locking ring	2	66	Adjusting nut with scale	1
10	** Main shaft	1	68	EzyLock	1
11	Motor 120 W	1	69	* Grounding wire connector	1
15	Cover for switch	1	70	Machine head	1
16	Nylon bearing	2			
18	Rubber foot	4			
20	* Machine label	1			
21	Cord set	1			
22	Strain relief	1			
24	Switch	1			
29	Washer for the stone	1			

\* Not shown on drawing.

\*\* Available only with MSK-200.